

»FUTURA« series

The filling unit protects devices connected downstream by ensuring a gradual build-up of pressure. The unit consists of a 3/2-way valve including silencer and a filling valve (start-up valve). It is connected and disconnected by means of the 3/2-way valve. The filling time can be altered by turning the adjusting screw.

Input pressure	2.5 - 16 bar
Temperature range	-10 °C to 50 °C
Medium	Compressed air, neutral gases
Housing	PA66 GF60
Connecting thread	Material: Die-cast zinc
Flow rate measurement	At P ₂ = 6 bar and pressure drop Δ _p = 1 bar

Filling unit, pneumatically operated, adjustable filling time

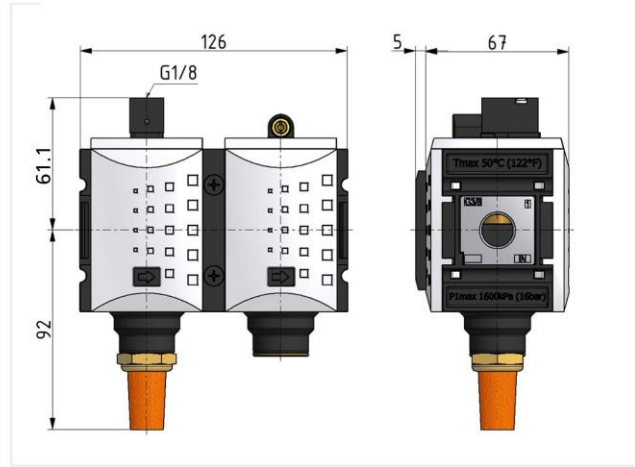
Art. No.	Type No.	Thread	Size	Exhaust air	Flow rate l/min
156634	FU 957-137	G 3/8	2	G 1/2	3400
156635	FU 958-137	G 1/2	2	G 1/2	3400

Accessories / Spare parts

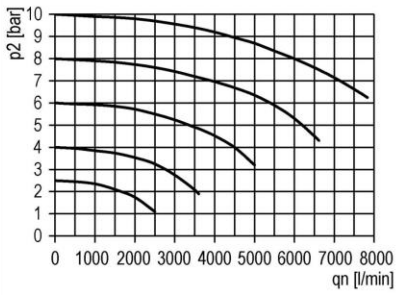
Art. No.	Type No.	Description
100043	H 852	Mounting bracket, incl. 2 screws
100044	WK 102	Wall bracket, incl. 2 screws
100045	KP 200	Joiner set, incl. 2 screws
100291	564-4	Silencer, sintered bronze, short
100292	567-4/M	Silencer, sintered bronze, with brass hexagon nut and thread
100331	WK 102-38	Wall bracket with connection thread G 3/8
100332	WK 102-12	Wall bracket with connection thread G 1/2
100333	WK 102-34	Wall bracket with connection thread G 3/4

P 1-495 e

Filling unit
pneumatically operated
Art. No. 156634 and 156635



flow characteristic



Symbol

